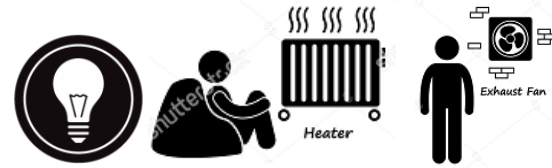
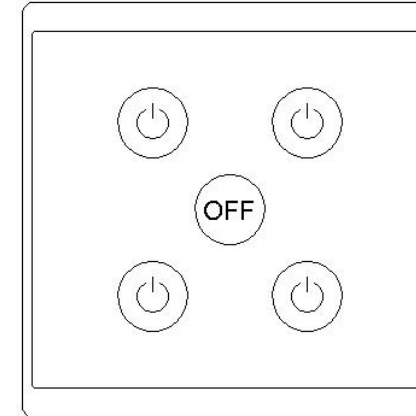


Touch Switch



Features

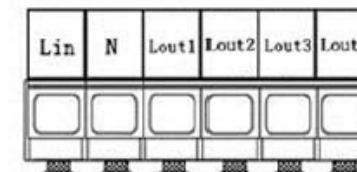
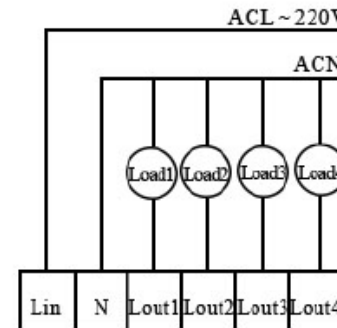
- Elegant glass touch screen switches, with blue back light button
- Other colours and patterns can be chosen
- Controlled by micro-processor
- Timing for 4 separate loads
- Easy-to-install design to fit into standard wall box
- ABS-V0 flame retardant material
- Control up to 4 loads. A delay-off time of 30 seconds or instant on/off for each load
- Good for all kinds of loads
- Smartphone control version available



ISH-111

Specification & Wiring Diagram

Voltage/Frequency	220-240V~50/60Hz
Input power of applied appliances	Resistive : 500W/load Inductive : 250W/load Capacitive: 250W/load
Load types	All types
Operation environment	20-90% RH, -20°C to 40°C
Wall box dimension	75 x 75 x 50 mm
Mounting hole spacing	60mm
Wall mount unit dimension / weight	86 x 86 x 36 mm / 165g



Wiring Positions

IMS International Ltd.

Unit 1, 39/F., Cable TV Tower, 9 Hoi Shing Road, Tsuen Wan, N.T., Hong Kong.
Tel : +(852) 2881 8011 Fax : +(852) 2894 8682 Web : www.imasu.com, Email : sales@imasu.com

- *Specification is subject to change without prior notice due to continuous product improvement*